

Garden light fitting with replaceable light source

5905339246530



IP  
65

MO  
DE  
RN  
design



Garden luminaires Kanlux STONO are light balls imitating stones, available with diameters from 20 to 50 cm. They blend perfectly in rockeries or bushes. Each of them is equipped with a base allowing for fitting the luminaire in the ground.

### GENERAL DATA:

**Colour:** Granite

**Place of assembly:** In the ground

**Place of application:** Indoors and outdoors

**Minimum distance from the illuminated object:** 0,2m

**Light source included:** no

**Height [mm]:** 480

**Diameter [mm]:** 500

**Wire length [m]:** 3

### TECHNICAL DATA:

**Rated voltage [V]:** 220-240 AC

**Rated frequency [Hz]:** 50

**Maximum power [W]:** max 25

**Class of protection against electric shock:** II

**Lampshade material:** PE

**Light source:** GLS/CFL/LED

**Cap:** E27

**Ambient temperature range to which the product can be exposed:** -20÷35

**Enclosure material:** ABS

**Connection type:** Cable terminated with a plug

**Wire type:** H05RN-F

**Wire diameter [mm<sup>2</sup>]:** 1

**IP class:** 65

### LOGISTIC DATA:

**Unit of measurement:** unit

**Packaging method:** 1

**Number of units in the secondary packaging:** 1

**Number of units in the packaging:** 1

**Net unit weight [g]:** 2690

**Grammage [g]:** 4070

**Length of a unit pack [cm]:** 50.5

**Width of a unit pack [cm]:** 50.5

**Height of a unit pack [cm]:** 51

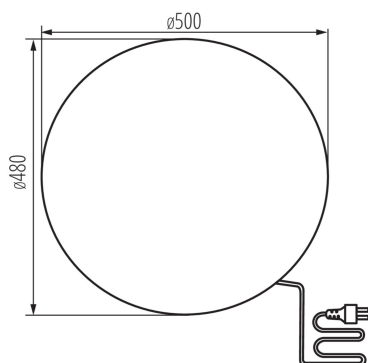
**Weight of a cardboard box [kg]:** 4.07

**Width of a cardboard box [cm]:** 50.5

**Height of a cardboard box [cm]:** 51

**Length of a cardboard box [cm]:** 50.5

Garden light fitting with replaceable light source



**Volume of a cardboard box [m<sup>3</sup>]:** 0.130063

**ADDITIONAL INFORMATION:**

- a cable of 3m in a set

